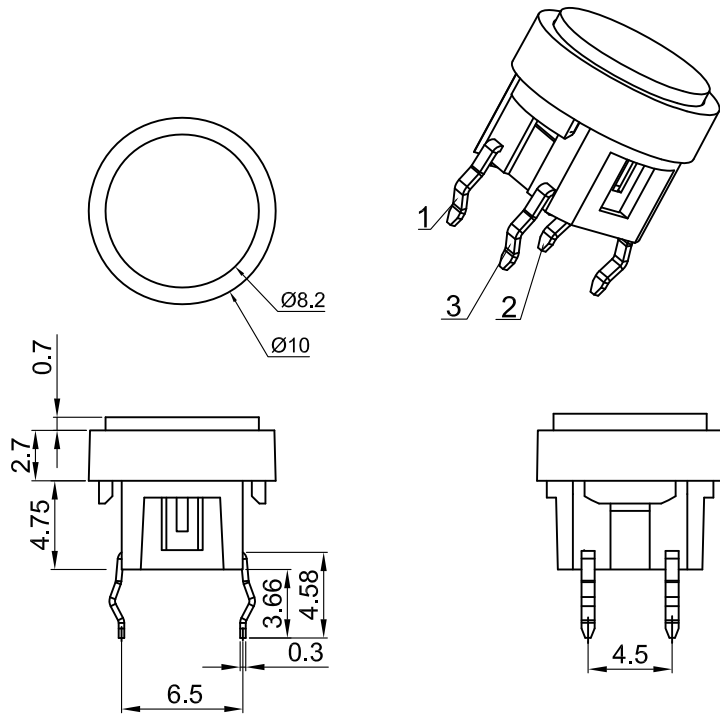




TS2



Specifications

Circuit :SPST

Current rating :50mA

Voltage rating :12VDC

Dielectric withstanding voltage:250VAC for 1 minute

Contact resistance :100mΩ Max. (Initial)

Insulation resistance :100MΩ Min.

Operating force :300±50gf

:200±50gf

Total travel :0.25mm±0.1mm

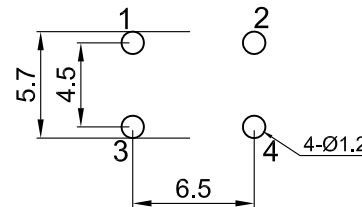
Operating life :100,000 cycles Min

Solder specifications :260° C for 5 seconds

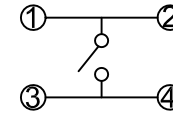
Function :Momentary

Operating temperature :+10° C ~ +60° C

P.C.B. LAYOUT



CIRCUIT



MATERIAL:

Base Frame: Nylon46, UL rated:94 V-2 Min. ;

Outer Frame: Nylon66, UL rated:94 V-2 Min. ;

Actuator: PBT, UL rated:94 V-2 Min. ;

Cap: ABS ;

Terminal: Brass, Silver or Tin plated .

				公差 TOLERANCES		.X± 0.3	.XX± 0.15	角度 ANGLE ± 1°		单位 DIMENSION UNIT	mm.
A2	重新整理后发行	2019.10.16	N/A	版本 VERSION	A2	比例尺 SCALE	NONE	日期 DATE	2019.10.16	品名 TITLE	图号 DRAWING NO
A1	重新整理后发行	2014.07.17	N/A	核准		核对	Z.H.B.	绘图	王立权	TS2-2A-3WN	TS2-2A-3WN_A2
版本 VER.	变更说明 CHANGE DESCRIPTION	日期 DATE	ECN NO.	APPROVED BY		CHECKED BY		DRAWN BY			